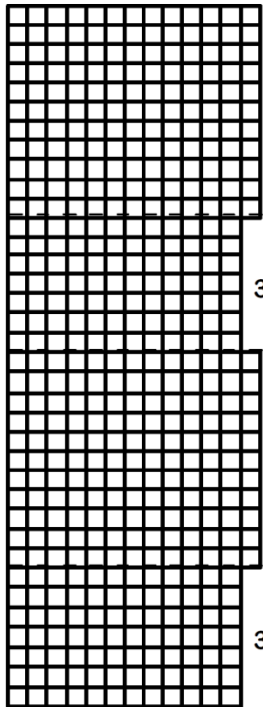


Nest Box Predator Guards

Cat/Raccoon Guard

6 1/2"



BEND PRONGS
OUTWARD

Fold

Fold

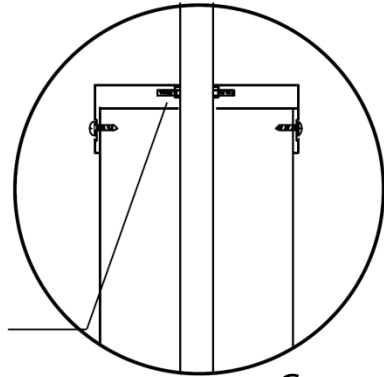
Fold

- Bend guard into shape
- Lace edges together along corner using light-weight tie wire.
- Cut off the edge to make prongs, then bend prongs outward to prevent snags for our birds.

Attach to box with 4 #8 x 1/2" Sheet Metal Screws, and 4 #10 washers.

MAKE SURE THE ENTRY HOLE IS NOT OBSTRUCTED

- Drill 1/4" hole through pole 4 inches below nest box.
- Put 3" long 1/4" bolt (with head cut off) through hole, and secure with a nut on each side.
- Suspend Snake Guard on this bolt. (It should wobble- keeps the critters off.)



Ground Level

Snake Guard

1 1/2'

Raccoon Guard:

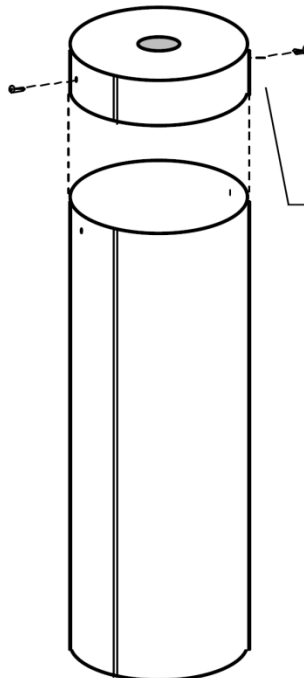
- 1/2" Vinyl Coated Hardware Cloth (6 1/2" x 18")
- Tie Wire (10")
- 4 - #8 x 1/2" Sheet Metal Screws
- 4 - #10 Flat Washers

Snake Guard:

- 8" x 24" Round Duct
- 8" Round Duct Cap
- 2 - #8 x 1/2" Sheet Metal Screws

Mounting Pole:

- 1" EMT Metal Electric Conduit (7 1/2' Long) Bury in ground 1 1/2'.



- Cut 1 1/4" hole in center of Round Duct Cap. (The hole must only be slightly larger than mounting pole. A small snake can slip through a 1/2" gap.)
- Slide Duct Cap over top of the Round Duct section.
- Drill a pilot hole through each side of the Duct Cap and Round Duct, and secure the Cap to the Duct with two #8 x 1/2" Sheet Metal Screws.

Mount the nest box so entry hole is about 5' from the ground.